

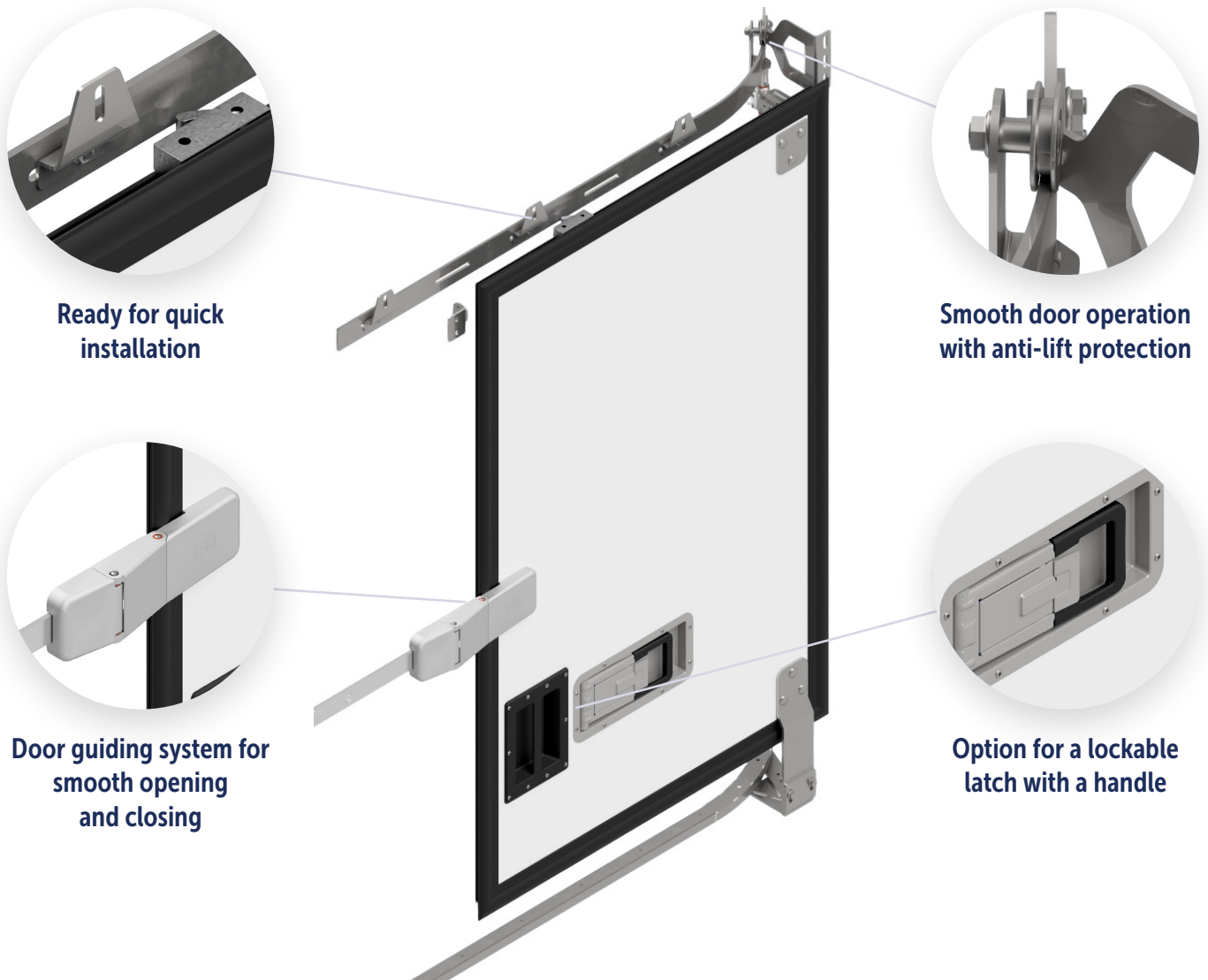
SLIDING SIDE DOORS

Quick access to the box body



SLIDING SIDE DOORS

The side doors are specifically designed for box bodies of commercial vehicles, particularly for vehicles used in urban delivery, logistics, and goods distribution. They provide an efficient solution for easy and quick cargo handling.



Practical Use



Urban goods delivery

They facilitate handling in narrow spaces, speed up loading, and ensure safety.



Refrigerated food delivery

Perfect sealing and durable construction, they are ideal for transporting temp.-sensitive goods.



Industrial transport

Allows transport of long items, with a robust design for durability.



Courier delivery

Speed up parcel access and streamline delivery processes in busy urban environments.



Transport of bulky goods

Wide door size compatibility enables easy handling of oversized cargo.



Transport of fresh products

Doors with sealing protect fresh products from moisture and dust contamination during transport.



CZ +420 548 424 011 | info@trans-technik.cz | www.trans-technik.cz

SK +421 417 073 011 | trans-technik@trans-technik.sk | www.trans-technik.sk

RO +40 265 266 538 | contact@trans-technik.ro | www.trans-technik.ro

PL +48 438 434 050 | biuro@trans-technik.pl | www.trans-technik.pl

SLIDING SIDE DOORS - INSTALLATION TIPS

1. Space Preparation & Measurement

- Measure the height and width of the opening. The door panel dimensions must allow clearance for sealing.
- Check the mounting hole layout drawing to ensure proper reinforcement placement.

2. Installation of Guide Rails

- Align the upper and lower guide rails, trimming them if necessary to match the door width. The rails must be parallel and aligned in the same direction to prevent misalignment and blocking!
- Secure the rails using pre-drilled holes. The lower closure component can be adjusted by trimming if needed.

3. Installation of the Center Hinge Strip

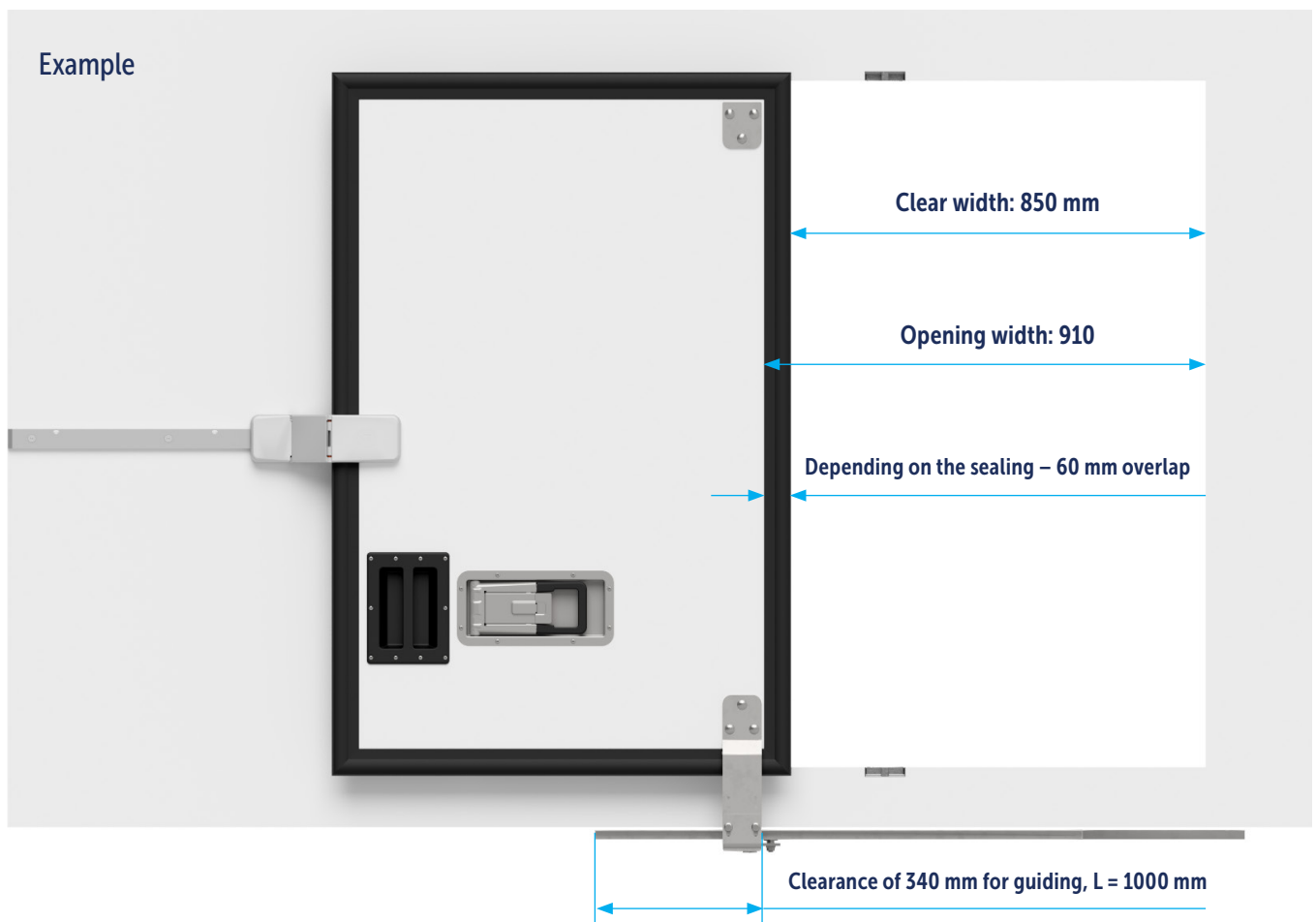
- Ensure the strip is parallel to the upper guide rail.
- Position it with drainage holes facing upwards. Trim any excess length as needed.

4. Door and Lock Installation

- Place the door onto the guide rails and check for smooth movement.
- Secure the recessed lock according to the provided instructions and verify its functionality.

5. Inspection and Completion

- Test the door's smooth movement and lock functionality.
- Ensure all screws and fastenings are securely tightened.



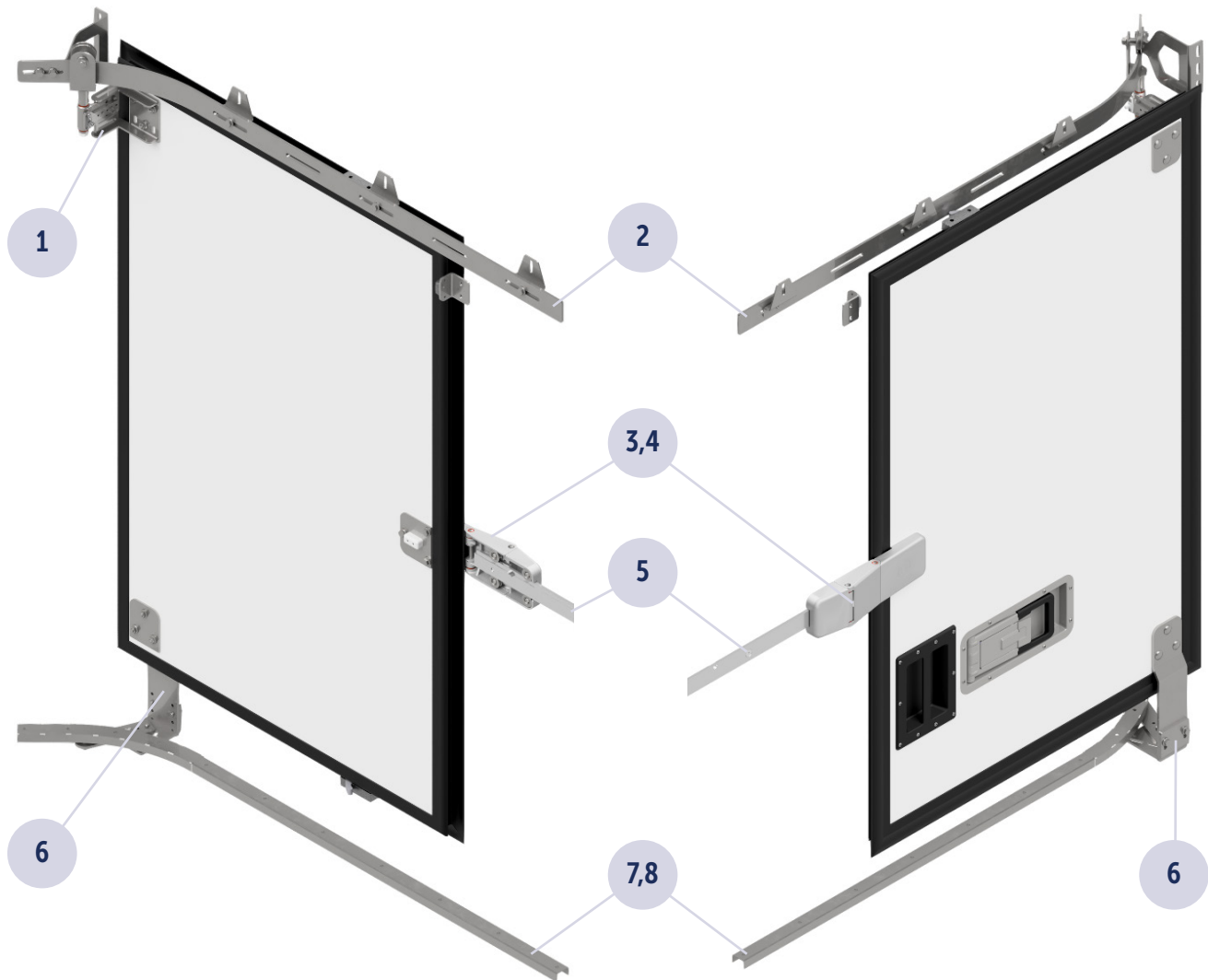
SLIDING SIDE DOORS - TECHNICAL SPECIFICATIONS

Technical Specifications

Parametr	Value
Door width	up to 1600 mm
Wall thickness	25 mm – 70 mm
Anti-Derailment System	Yes
Lockable Closure	Yes
Surface Finish	Matte Anti-Corrosion
Customization	Painting

Bill of materials

Pos.	TT number	Name
1	0631 230.200	Upper door bracket, stop, fixation, and upper guide rail holders
2	0631 230.100	Upper mounting rail L = 1,000 mm
3	0631 201.075	Center hinge – lift 75 mm (for panel up to 40 mm)
4	0631 201.090	Center hinge – lift 75 mm (for panel up to 70 mm)
5	0631 210.150	Center hinge bar L = 1,500 mm
6	0631 220.300	Lower door bracket
7	0631 220.100	Lower guide rail – 1,000 mm – right side of the vehicle / left opening
8	0631 220.200	Lower guide rail – 1,000 mm – left side of the vehicle / right opening





TRANS – TECHNIK spol. s r.o.
Tyršova 1146, Modřice, 664 42, Česká republika

+420 548 424 039
objednavky@trans-technik.cz

IČO: 44016077
DIČ: CZ44016077